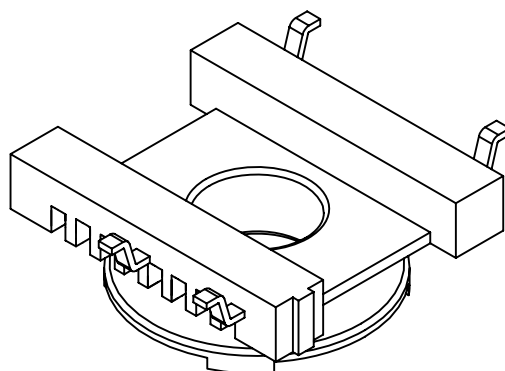
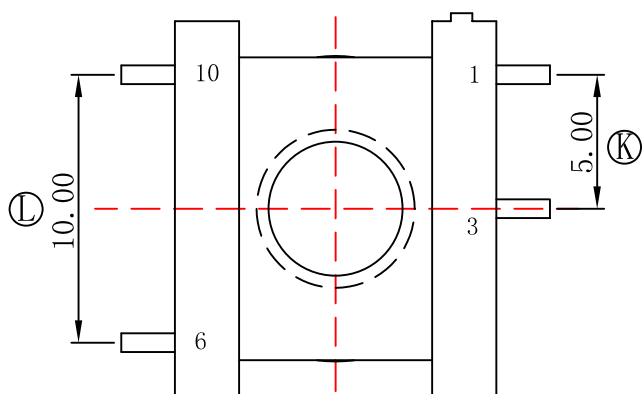
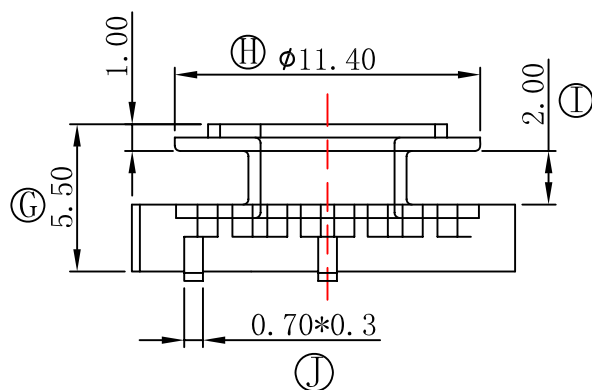
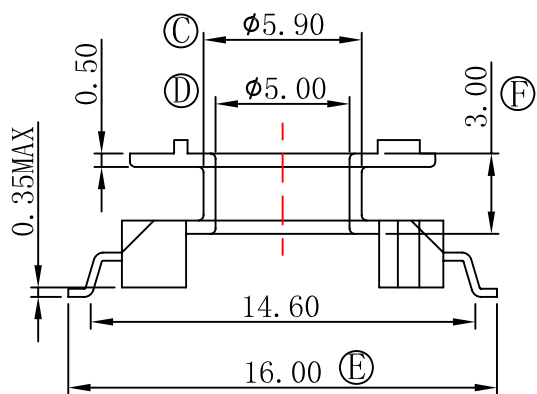
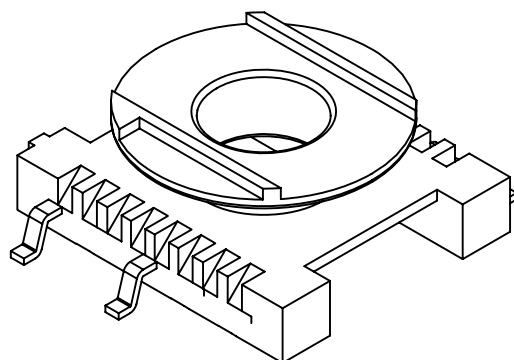
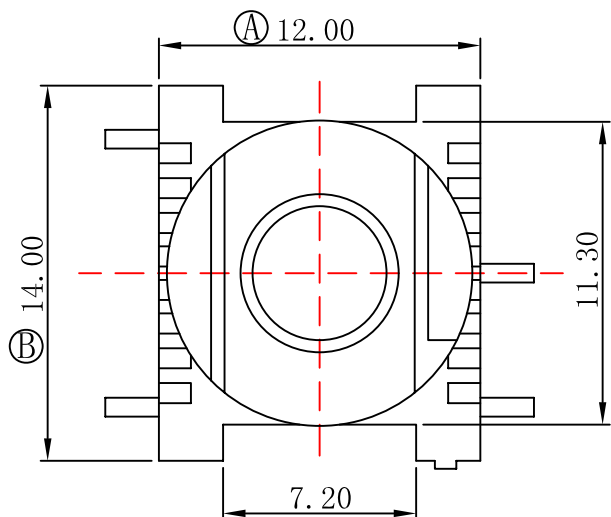


型号

ER-14.5S-1



REV	DATE	REVISIONS	REC

深圳市捷达成电子有限公司

SHENZHEN JIE DA CHENG ELECTRONICS CO.,LTD.
TEL:0755-27317730 FAX:0755-27317731

ANGLE:
+/-1°

MODEL NAME:
ER-14.5S-1 4PIN SMD

UNIT:
MM

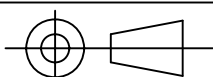
UL REC:
UL 94V-0

BOBBIN MATERIAL:
LCP-E4008

SCALE:
4/1

PIN TENSION LOAD:
1.0KG MIN

PIN MATERIAL:
PHOSPHOR BRONZE



DATE:
2006-07-05

DRAWING NO:
ER-14.5S-1

REV:
1.0

DRAFTER L.R.J

TOLERANCE

0<L<4 ±0.1
4<L<16 ±0.2
16<L<50 ±0.3
PIN PITCH ±0.2

CHECKER Y.F.