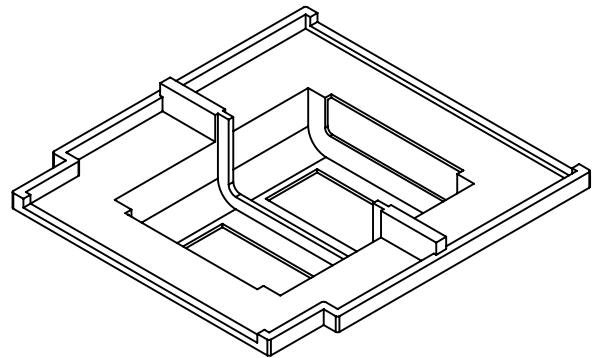
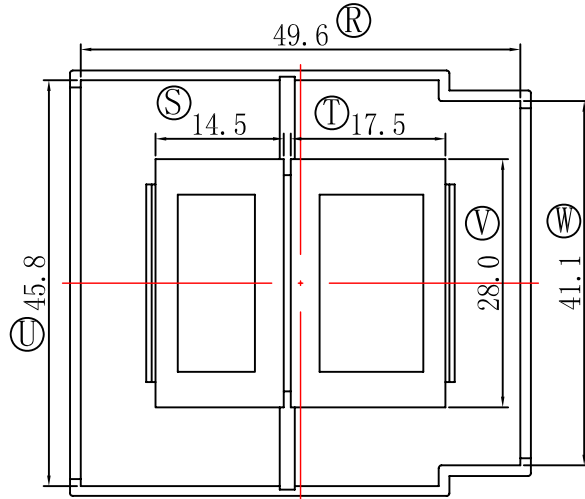
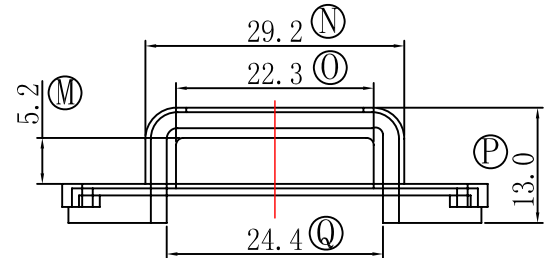
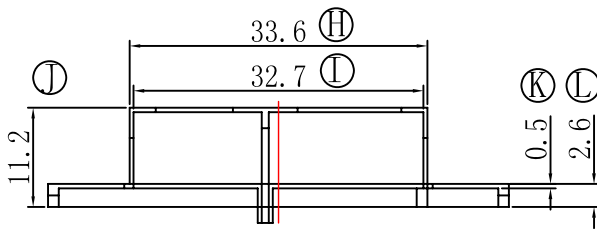
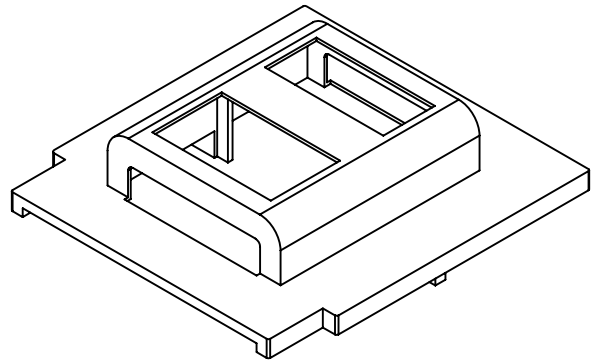
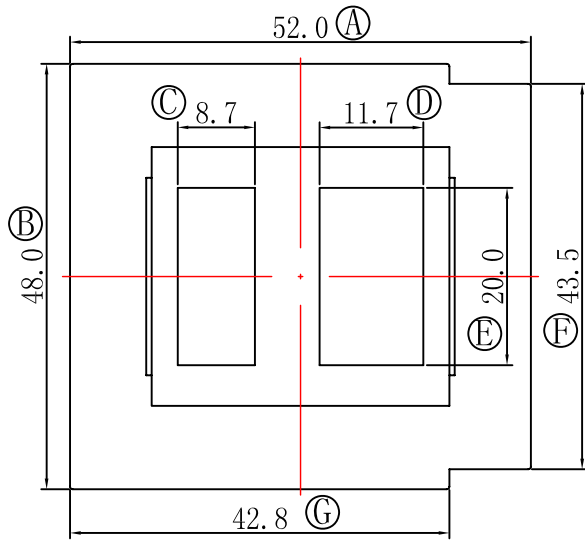


型号

EFD-4003-1



REV	DATE	REVISIONS REC

深圳市捷达成电子有限公司

SHENZHEN JIE DA CHENG ELECTRONICS CO.,LTD.

TEL:0755-27317730 FAX:0755-27317731

ANGLE:  
+/-1°

MODEL NAME:  
EFD-4003-1 COVER

UNIT:  
MM

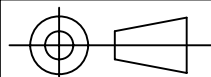
UL REC:  
UL 94V-0

BOBBIN MATERIAL:  
PBT

SCALE:  
4/1

PIN TENSION LOAD:

PIN MATERIAL:



DATE:  
2012-06-25

DRAWING NO:  
EFD-4003-1

REV:  
1.0

DRAFTER L.R.J

TOLERANCE

0<L<4 ±0.1

4<L<16 ±0.2

16<L<50 ±0.3

PIN PITCH ±0.2

CHECKER Y.F.