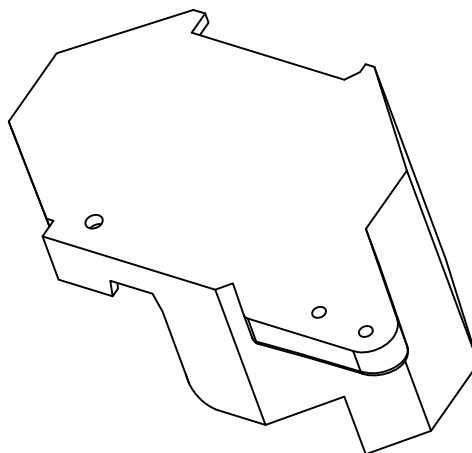
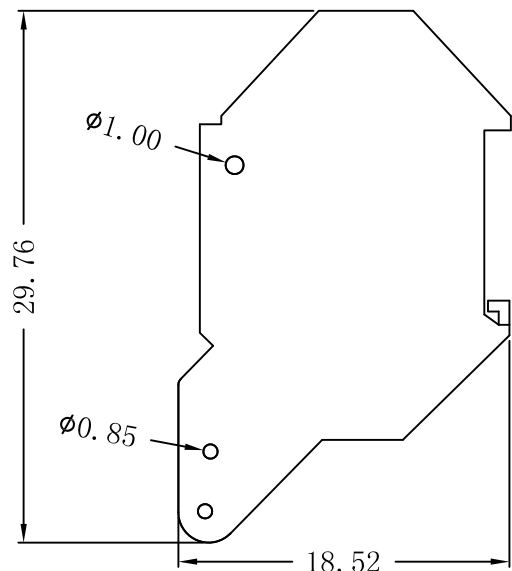
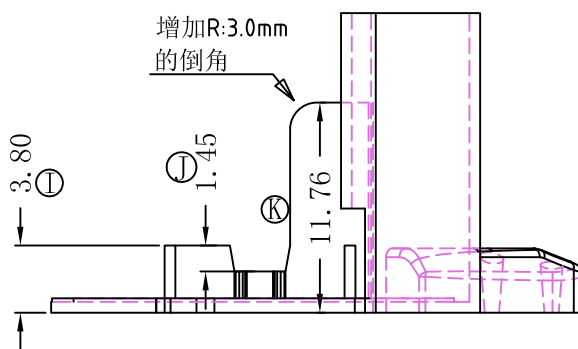
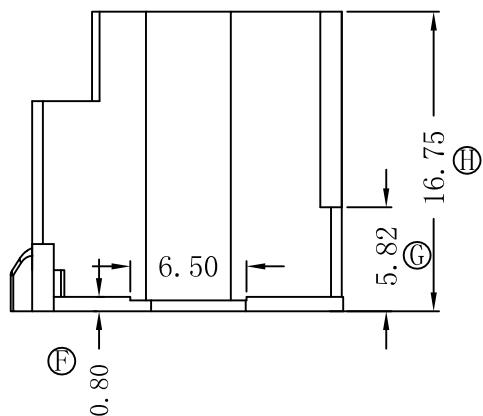
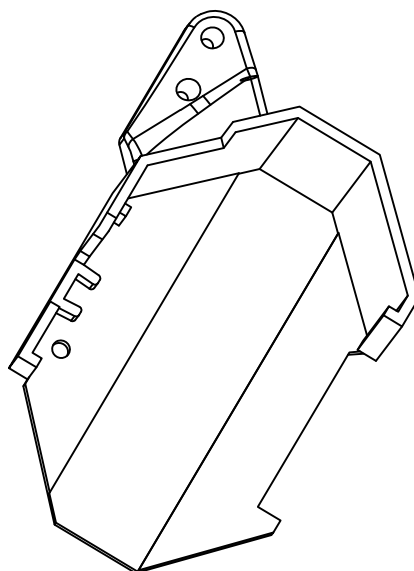
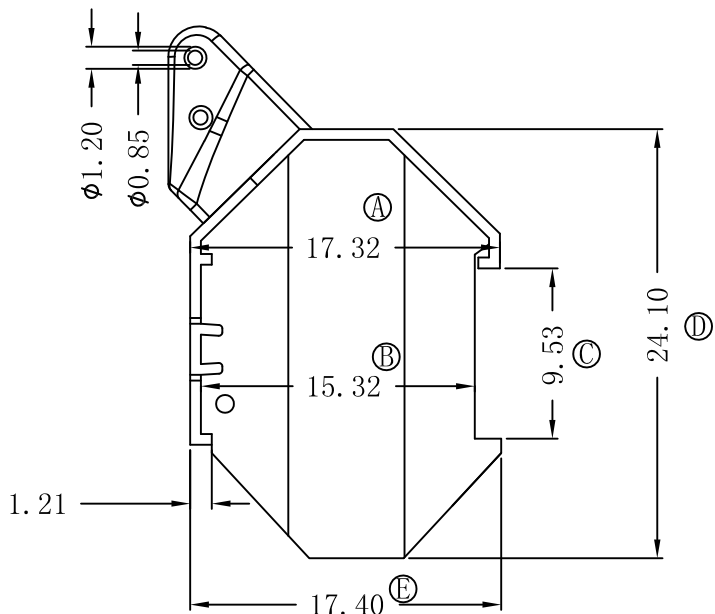


型号

RM-0809-3



REV	DATE	REVISIONS REC

深圳市捷达成电子有限公司

SHENZHEN JIEDACHENG ELECTRONICS CO.,LTD.
TEL:0755-27317730 FAX:0755-27317731

ANGLE:
+/-1°

MODEL NAME:
RM-0809-3 COVER

UNIT:
MM

UL REC:
UL 94V-0

BOBBIN MATERIAL:
PBT(BK)

DRAFTER
L.R.J

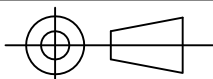
TOLERANCE

SCALE:
4/1

PIN TENSION LOAD:

PIN MATERIAL:

0<L<4 ±0.1
4<L<16 ±0.2
16<L<50 ±0.3
PIN PITCH ±0.2



DATE:
2015-12-18

DRAWING NO:
RM-0809-3

REV:
1.0

CHECKER
Y.F.